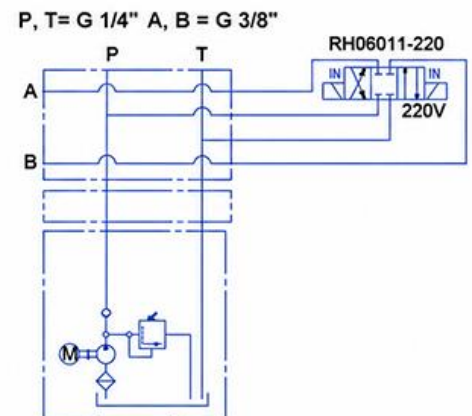
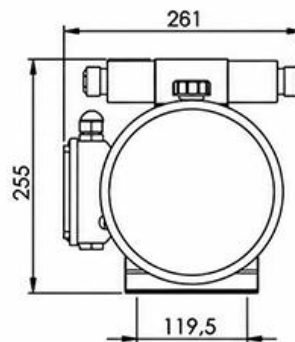
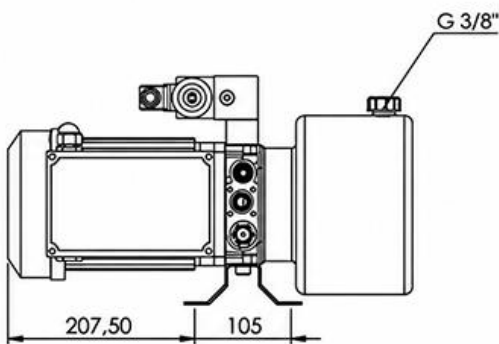
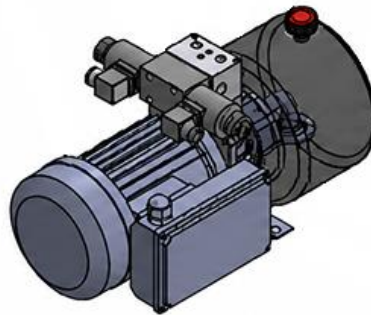
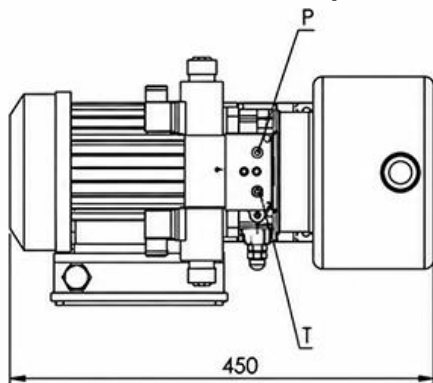
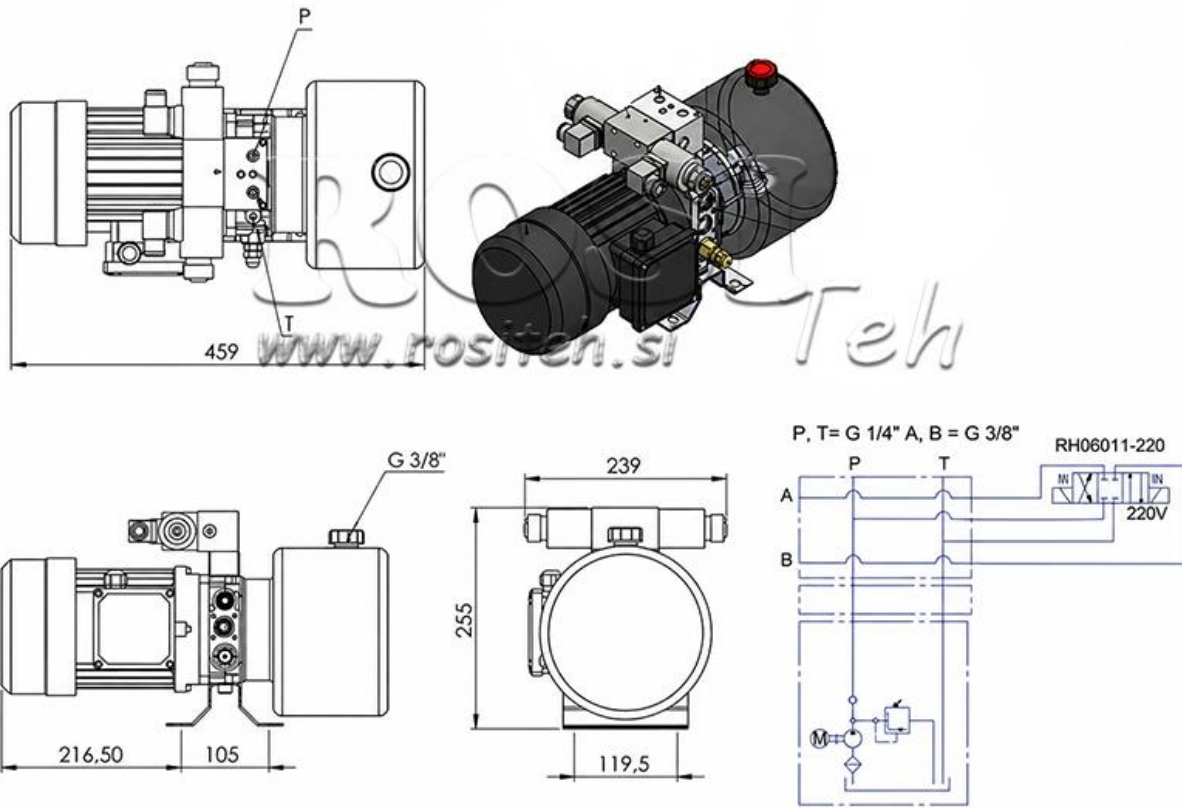


## DATA SHEET – DIMENSIONS

**10447: MINI HYDRAULIC POWER-PACK UNIT 230V AC (0.75 KW) - 3.7 CC - 5.2 LIT/MIN - TANK 4 LIT**



## 10446: MINI HYDRAULIC POWER-PACK UNIT 380V AC (0.75 KW) - 3.7 CC - 5.2 LIT/MIN - TANK 4 LIT



CODE	VOLTAGE (V)	MOTOR POWER (kW)	MAX. PRESSURE (bar)	PUMP FLOW (cc)	OIL TANK CAPACITY (l)	FLOW OF POWER PACK (lit/min)	SPEED (vrt/min)
10447	230	0,75	70	3,7	4	5,2	1500
10446	380						

CIRCUIT DIAGRAM:

